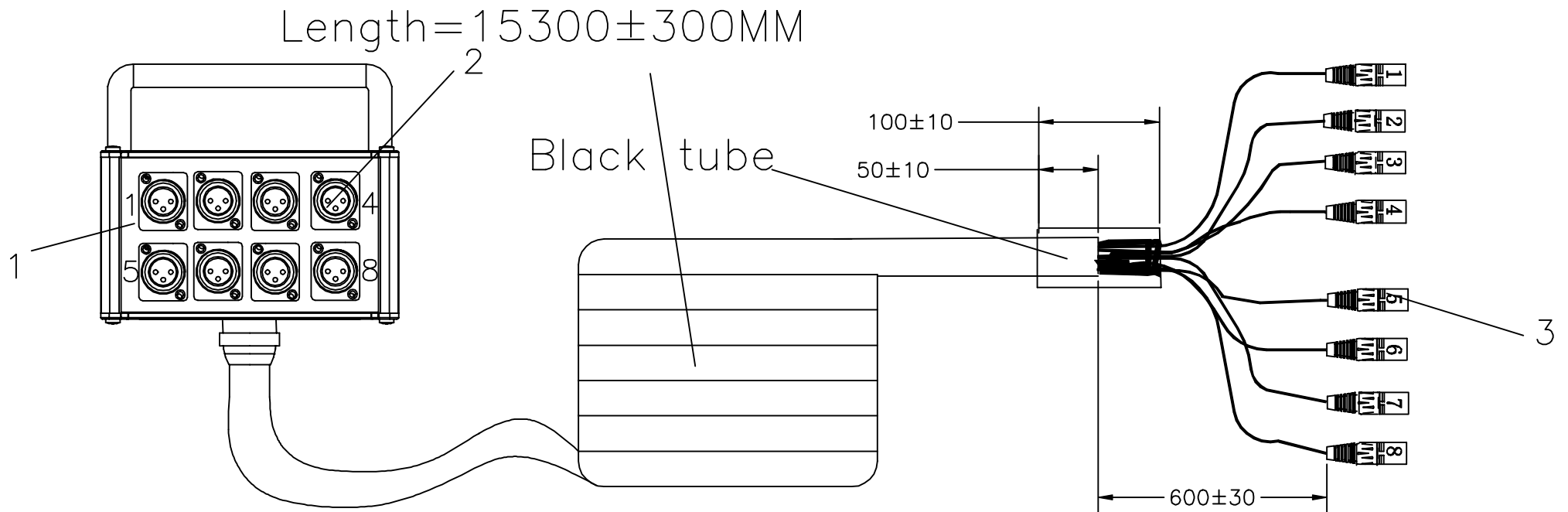


REVISION			
REV	DESCRIPTION	DATE	SIGNATURE
A	Initial release	2005.04.14	WANGWJ

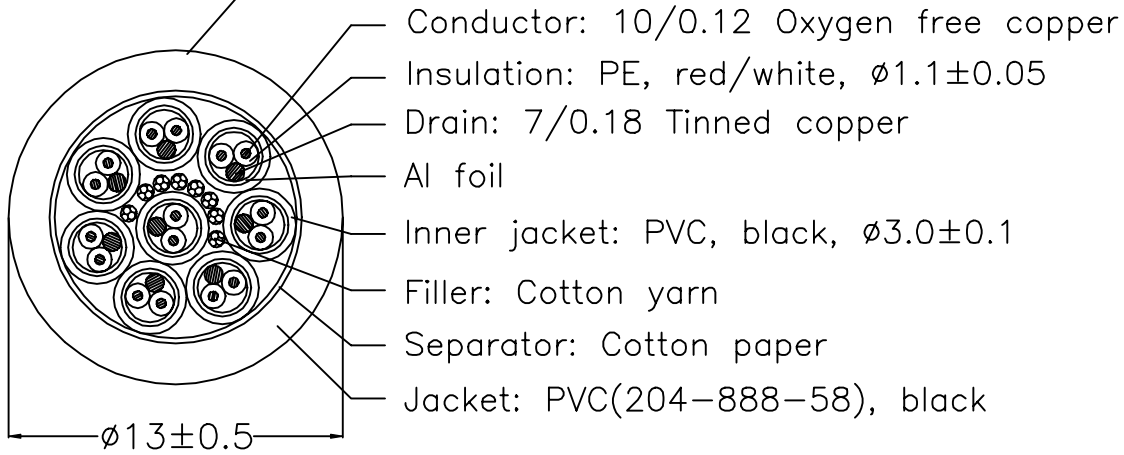


④					TITLE				DRAWING No.		SHEET	
③	305-103	XLR(M)	8	Zn	Black	STB-80						1/1
②	305-056	XLR socket	8	Zn	Black	UNIT	SCALE	TOL UNLESS NOTED	APPROVED	CHECKED	DRAWN	
①	513-B08-2-1	BOX	1	Fe	Black	mm	Free	±0.1			WANGWJ	
No	PART No.	COMPONENTS	QTY	MATERIAL	FINISH						2005.04.14	

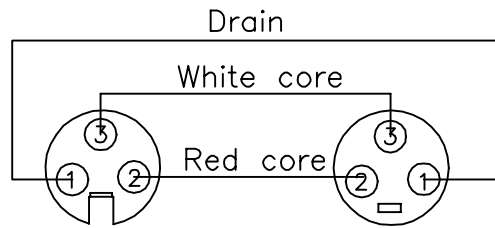
Master Hill Electric Wire & Cable Co.,Ltd.

REVISION			
REV	DESCRIPTION	DATE	SIGNATURE
A	Initial release	2005.04.14	WANGWJ

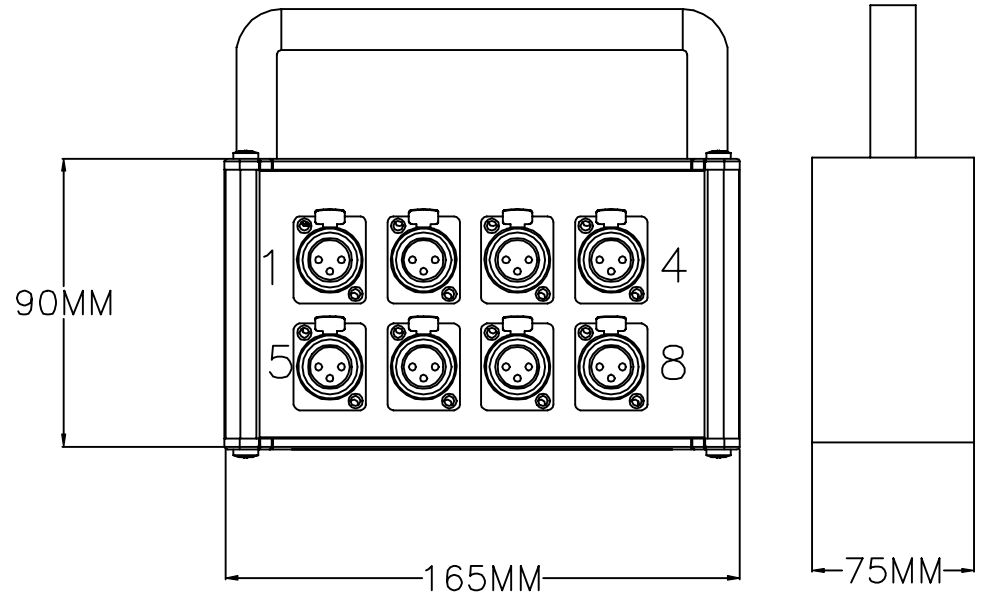
Printing(silver): (LOGO) Stage Line MULTIPAIR CABLE • HIGH QUALITY • HIGH FLEXIBLE 1M



Cable Construction



Wiring Method



Stage box

④						TITLE			DRAWING No.		SHEET	
③						STB-80					1/1	
②						UNIT	SCALE	TOL	UNLESS NOTED	APPROVED	CHECKED	DRAWN
①						mm	Free	± 0.1				WANGWJ
No	PART No.	COMPONENTS	QTY	MATERIAL	FINISH							2005.04.14